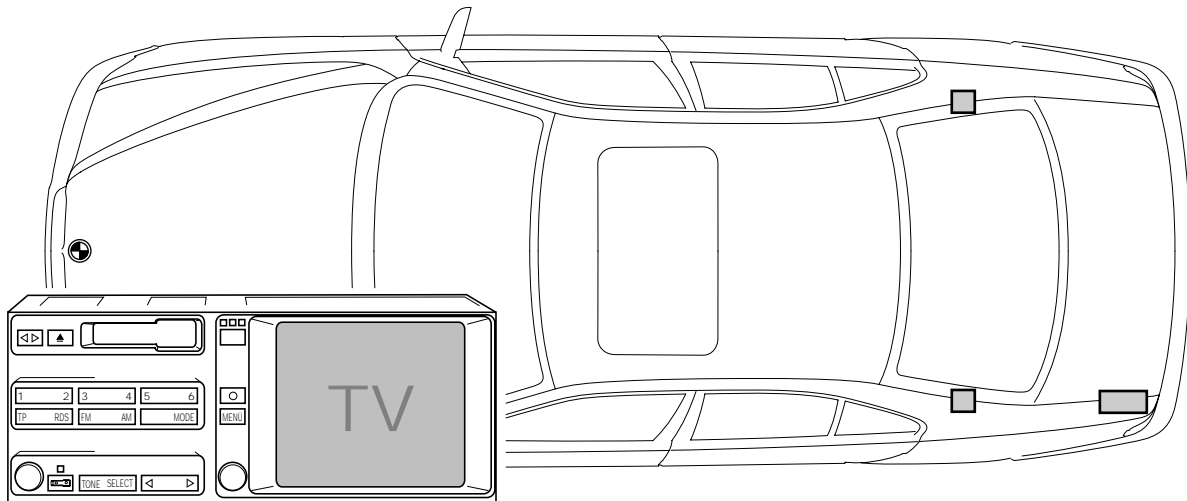




Teile und Zubehör - Einbauanleitung



F 39 0127 B

Installation Kit Video Module and TV Amplifier for TV Function together with Installation Kit for On-Board Monitor and Navigation BMW 5 Series (E39)

The installation kit on-board monitor and navigation must be installed first before installing the installation kit video module and TV amplifier for TV function.

	Contents	Page
1	Important Information	1-2
2	Installation	2-1

1. Important Information

Intended for use in BMW dealership network only.

Specialised knowledge is required.

Installation time required 1.5 hours

The installation time may vary depending on the condition and equipment of the vehicle.



The installation kit on-board monitor and navigation must be installed first before installing the installation kit video module and TV amplifier for TV function. ◀

Target group

These installation instructions are intended for specialist personnel trained in BMW passenger cars and who independently carry out all maintenance, repair, installation and readjustment jobs on passenger cars.

All jobs are to be carried out with the aid of valid BMW

- Repair instructions
- Schematic circuit diagrams
- Maintenance manuals
- Working instructions
- Diagnosis manuals

in rational order with the specified tools (special tools) and in compliance with valid health and safety regulations.

Installation notes

Knowledge of vehicle electrical systems is required.

Safety notes

Particular care must be taken when installing cables/lines to ensure they are not kinked, bent or damaged. Additionally installed cables/lines must be secured with cable ties.

Necessary tools and aids

Set of 1/4 inch socket wrenches

Set of screwdrivers for cross-head screws

Set of screwdrivers for slotted-head screws

Side cutter

Inspection lamp

Subject to technical modifications

2. Installation

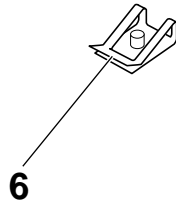
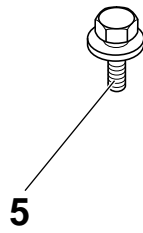
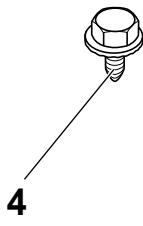
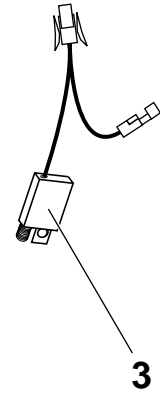
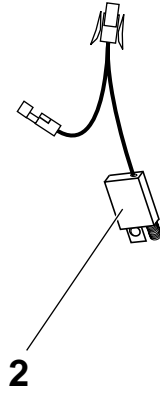
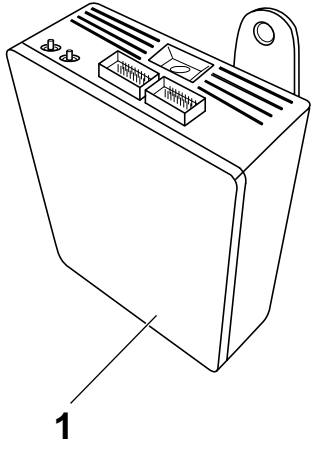
	Contents	Page
2.1	Parts Overview	2-2
2.2	Installation of TV Amplifier and Video Module	2-8
2.3	Encoding	2-23

2.1 Parts Overview

Open out fold-out page! (Page 2-5)

Item	Description	Qty.
1	Video module	1
2	TV amplifier, right	1
3	TV amplifier, left	1
4	Light-gauge self-tapping screw with serrated washer M5x12	2
5	Hexagon screw with washer M5x14	1
6	Speed nut M5	1

Continue with Section 2.2



F 39 0128 B

2.2 Installation of TV Amplifier and Video Module

Notes

Refer to general information as well as safety notes in **Section 1**.

Preparation

- Print out fault code memory
- Disconnect battery
- Remove rear bench seat
- Remove rear seat backrest
- Remove left and right C-pillar trim panel
- Remove rear window shelf
- Open rear left luggage compartment trim panel
- Remove navigation computer

Open out fold-out page! (Page 2-21)

Fig. A

Firmly secure TV amplifier on left (3) to mounting point (7) provided on left-hand C-pillar with M5x12 light-gauge self-tapping screw with serrated washer (4).
Plug in existing, tied-back coaxial pin housing (8) at left-hand TV amplifier (3) and firmly tighten screws.
Release existing plug connection (9).
Connect black 1-pin socket contact (10) from left-hand TV amplifier (3) to black 1-pin pin contact (11) from released plug connection (9).
Connect black 1-pin pin contact (12) from left-hand TV amplifier (3) to black 1-pin socket contact (13) from released plug connection (9).

Fig. B

Firmly secure TV amplifier on right (2) to mounting point (14) provided on right-hand C-pillar with M5x12 light-gauge self-tapping screw with serrated washer (4).
Plug in existing, tied-back coaxial pin housing (15) at right-hand TV amplifier (2) and firmly tighten screws.
Release existing plug connection (16).
Connect black 1-pin socket contact (17) from right-hand TV amplifier (2) to black 1-pin pin contact (18) from released plug connection (16).
Connect black 1-pin pin contact (19) from right-hand TV amplifier (2) to black 1-pin socket contact (20) from released plug connection (16).

Fig. C

Fit M5 speed nut (6) on mounting bracket for video module, front (21).
Fit video module (1) on retaining studs (22) of basic carrier (23) and firmly secure on mounting bracket for video module, front (21) with M5x14 hexagon screw and washer (5).

Fig. D

Pass blue 18-pin socket housing (24) through mounting bracket for navigation computer (25) towards rear and route to video module (1).
Release the two tied-back, angled coaxial socket housings (26, 27) and the tied-back white 18-pin socket housing (28) and route to video module (1).
Release tied-back blue 18-pin socket housing (29) (to be connected at navigation computer).

Fig. E

Connect blue 18-pin socket housing (24) to blue 18-pin pin housing (30) at video module (1).
Connect white 18-pin socket housing (28) to white 18-pin pin housing (31) at video module (1).
Connect the two angled coaxial socket housings (26, 27) to the two coaxial pin housings (32, 33) at video module (1).

Fig. F

Connect bordeaux 18-pin socket housing (34) to bordeaux 18-pin pin housing at navigation computer (35).
Connect blue 18-pin socket housing (29) to blue 18-pin pin housing at navigation computer (35).



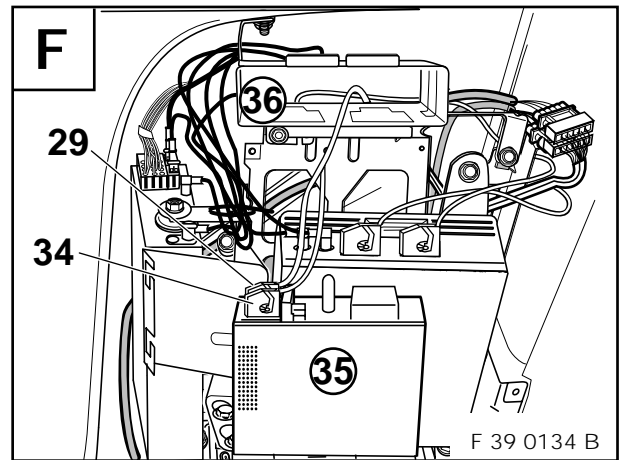
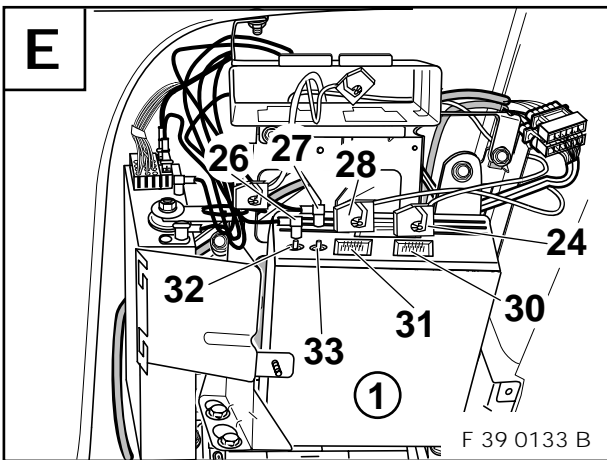
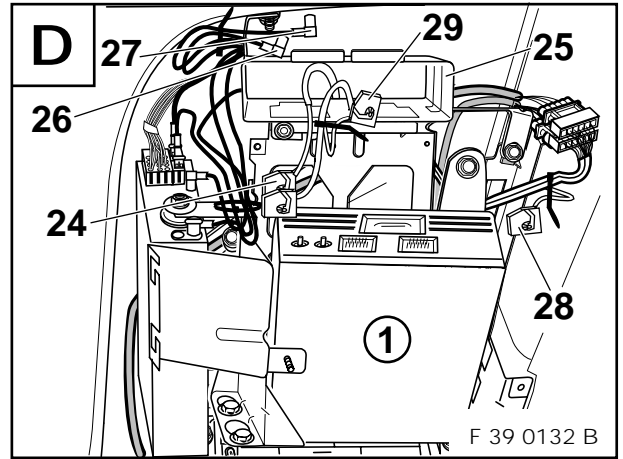
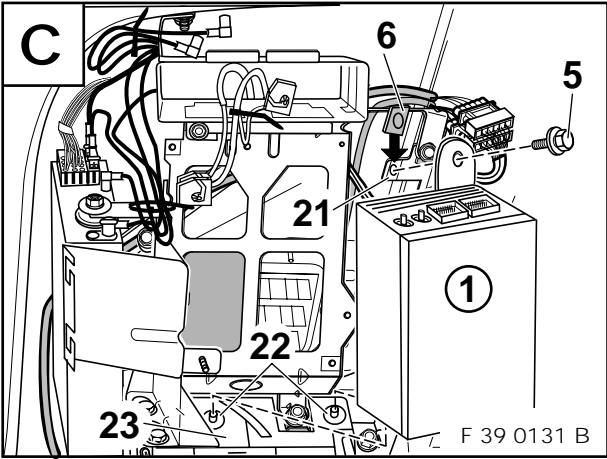
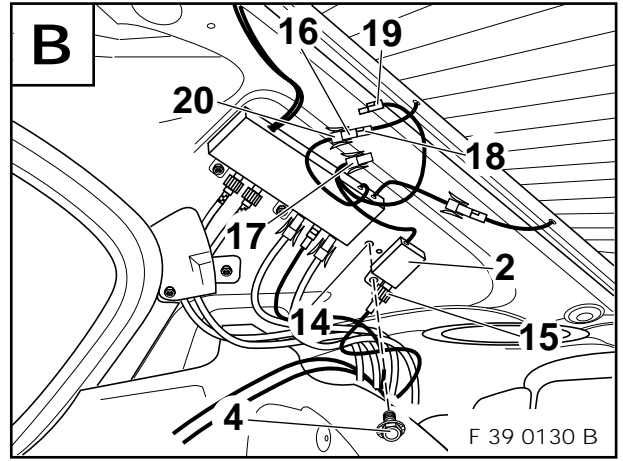
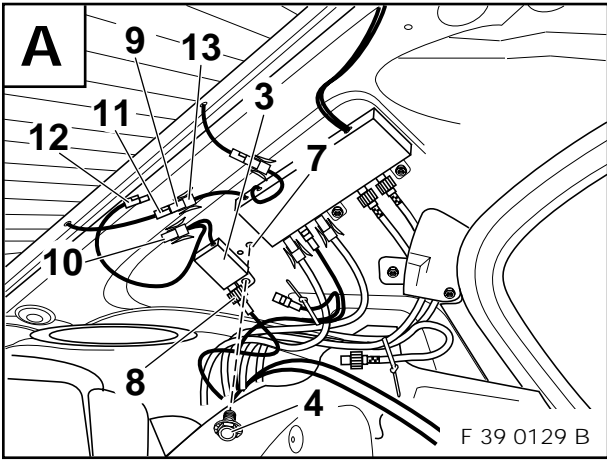
Take particular care to ensure that the cables and lines are not trapped or damaged behind the navigation computer. ◀

Now fit navigation computer (35) in mounting bracket for navigation computer (36) and close rear left luggage compartment trim panel.

Concluding jobs

Reconnect battery
Carry out function check
Print out fault code memory
Reassemble vehicle in reverse order of removal

Continue with Section 2.3



2.3 Codierung

Hinweise

Allgemeine Hinweise sowie Sicherheitshinweise in **Kapitel 1** beachten.

Dieses System ist codierrelevant.

Damit das Nachrüstsystem:

- in vollem Umfang funktionsfähig ist und
- im Verbund mit den anderen elektrischen Fahrzeugsystemen Fehlfunktionen und Störungen ausschließt, muß eine Codierung dieses Nachrüstsystems und gegebenenfalls weiterer Fahrzeugkomponenten durchgeführt und im zentralen Codierschlüssel der IKE gespeichert werden.

Diese Codierung wird automatisch mit dem jeweils aktuellen Codierprogramm im Pfad „**Nachrüstung**“ durchgeführt.

Der Ablauf ist bedienergeführt, es sind die jeweiligen Texthinweise bei der Durchführung der einzelnen Schritte zu beachten.

Vorgehensweise:

- DIS/MoDiC an das Fahrzeug anschließen
- Zündung „**EIN**“
- Auswahl „**Codierung ZCS**“
- Eingabe Datum mit „**Y**“ bestätigen (nur bei MoDiC)
- Baureihe: „**E39**“
- Pfad: „**2 Nachrüstung**“
- System: „**7 Navigation**“



Zum Laden des Betriebssystems wird eine „**Navigations CD-ROM Betriebssoftware**“ benötigt.

Achtung! CD-ROM „**Betriebssoftware**“ noch nicht in das CD-Laufwerk einlegen! CD-ROM „**Betriebssoftware**“ erst einlegen, wenn es in den Hinweisen am Bordmonitor beschrieben wird.

Gleichzeitig wird mit dieser CD-ROM „**Betriebssoftware**“ die Sprachcodierung durchgeführt. ◀

- Automatische Codierung starten (mit „**Y**“ bestätigen)
- Den Hinweisen am Bordmonitor folgen.
- Neues Zentraletikett vom geänderten Codierschlüssel ausdrucken und am Fahrzeug im Gepäckraum rechts im Bereich der Batterie aufkleben.
- Nach dem Hinweis „**Codierung beendet**“ am Bildschirm vom DIS/MoDiC, Zündung „**AUS**“, mindestens 10 Sekunden warten und anschließend wieder Zündung „**EIN**“:
- Fehlerspeicher ausdrucken
- CD-ROM „**Straßenkarte**“ in den Navigationsrechner einschieben.
- Funktionsprüfung durchführen



Bei Fahrzeugen mit DSP-Verstärker muß zusätzlich der DSP-Verstärker neu codiert werden. ◀

Vorgehensweise:

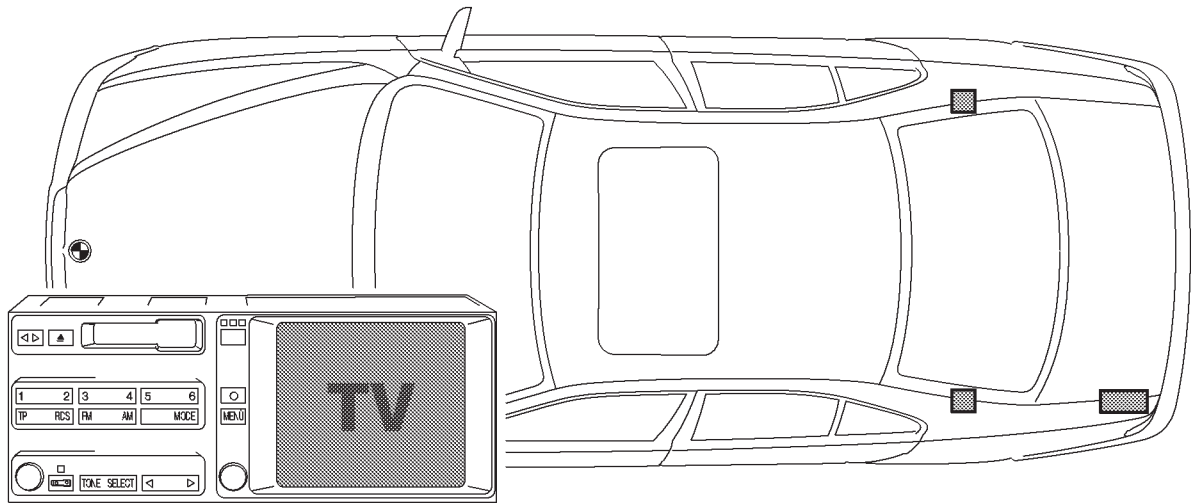
- DIS/MoDiC an das Fahrzeug anschließen
- Zündung „**EIN**“
- Auswahl „**Codierung ZCS**“
- Eingabe Datum mit „**Y**“ bestätigen (nur bei MoDiC)
- Baureihe: „**E39**“
- Pfad: „**1 Neucodierung**“
- System: „**82 DSP**“
- Automatische Codierung starten (mit „**Y**“ bestätigen)
- Nach dem Hinweis „**Codierung beendet**“ am Bildschirm vom DIS/MoDiC, Zündung „**AUS**“, mindestens 10 Sekunden warten und anschließend wieder Zündung „**EIN**“:
- Fehlerspeicher ausdrucken
- Funktionsprüfung durchführen

Sprachcodierung

Die Sprachcodierung kann erneut über die „**Navigations CD-ROM Betriebssoftware**“ durchgeführt werden.



Teile und Zubehör - Einbauanleitung



F 39 0188 B

Supplementary Sheet to Installations Instructions

Installation Kit for Video Module and TV Amplifier for TV Function in Conjunction with Installation Kit for On-Board Monitor and Navigation BMW 5 series (E39), order No.: 01 29 0 007 858

Important Information!

The following points must be observed:

Section 2.3 Page 2-23, Encoding

The text for Section **2.3 Encoding** is no longer applicable and is being replaced by:

Notes

Refer to general information as well as safety notes in **Section 1**.

This system requires encoding

to ensure:

– that the retrofit system is operable to its full extent and

and, if necessary, other vehicle components must be encoded and stored in the central encoding code of the IKE.

This encoding procedure is conducted automatically with the current coding program in the path "**Retrofit**".

be observed.

Procedure:

- Connect DIS/MoDiC III to vehicle
- Ignition "**ON**"
- Selection "**Encoding ZCS**"
- Confirm date entry with "**Y**" (MoDiC only)
- Series: "**E39**"
- Path: "**2 Retrofit**"
- System: "**7 Navigation**"
- Prompt: "**Is a video module fitted?**"
- Confirm: "**Yes**"



"**Navigation CD-ROM Operating Software**" will be required to load the operating system.

Caution! Do not yet insert the "**Operating Software**" CD ROM in the CD drive at this point! Only insert the "**Operating Software**" CD ROM in the drive when instructed to do so in the information provided on the on-board monitor.

Voice encoding is also carried out with this "**Operating Software**" CD ROM. ◀

- Start automatic encoding (confirm with "**Y**")
- Follow information provided on on-board monitor.
- Print out new label with modified encoding code and affix on vehicle in luggage compartment on right in area of battery.
- After the message "**Encoding completed**" on the DIS/MoDiC monitor, switch ignition "**OFF**", wait at least 10 seconds before switching ignition "**ON**" again.
- Print out fault code memory.
- Insert "**Road Map**" CD ROM in navigation computer.
- Carry out function check.



The DSP amplifier must be additionally recoded on vehicles with DSP amplifier. ◀

Procedure:

- Connect DIS/MoDiC III to vehicle
- Switch ignition "**ON**"
- Select "**Encoding ZCS**"
- Confirm date entry with "**Y**" (MoDiC only)
- Series: "**E39**"
- Path: "**1 Recoding**"
- System: "**82 DSP**"
- Start automatic encoding (confirm with "**Y**")
- After the message "**Encoding completed**" on the DIS/MoDiC monitor, switch ignition "**OFF**", wait at least 10 seconds before switching ignition "**ON**" again.
- Print out fault code memory.
- Carry out function check.

Voice encoding

Voice encoding can again be carried out with the "**Navigation CD ROM Operating Software**".