



Parts and Accessories. Installation Instructions.

Car Communication Computer (CCC) Conversion Kit BMW 5 Series (E60 with SA 6UA)

Retrofit kit No. 65 90 0 309 349
 65 90 0 390 844
 65 90 0 391 766

These installation instructions are only valid for cars with SA 6UA (CCC preparation)

Installation time

The installation time is approx. 2.25 hours, but this may vary depending on the condition of the car and the equipment in it.

Important information

Before you install the conversion, test the control unit status with the CIP (coding, customising, programming) test program. If the test detects incorrect statuses in one or more control units, these must be updated first using the “Load software” function.

The CCC conversion should be made using the Software Service Station and the OPPS/OPS. Refer to the corresponding Service Information documents.


In order to avoid unnecessary additional expenses/costs, a request must be sent to Technical Parts Support via ASAP immediately whenever assembly or functional problems are detected in a short troubleshooting procedure, approx. 0.5 hours. This request must include the chassis number, the part number of the installed retrofit kit and a detailed description of the problem.

The packaging of the conversion kit must be used for transporting the removed parts which have to be returned.

These installation instructions are primarily designed for use within the BMW dealership organisation and by authorised BMW service companies.

In any event the target group for these installation instructions is specialist personnel trained on BMW cars with the appropriate specialist knowledge.

All work must be completed using the latest BMW repair manuals, circuit diagrams, servicing manuals and work instructions in a rational order using the prescribed tools (special tools) and observing current health and safety regulations.

 In cars with SA 606, the Business navigation DVD must be sent back with the other parts that have to be returned. Please inform your customer that the Business navigations DVD must be handed back. ◀

Ensure that the cables/lines are not kinked or damaged as you install them in the car. The costs incurred as a result of this will not be reimbursed by BMW AG.

Additional cables/lines that you install must be secured with cable ties.

All the figures show LHD cars, proceed in exactly the same way on RHD cars.

Ordering instructions

This central instrument panel trim for CCC is not included in the conversion kit and must be ordered separately (see EPC for part number and documentation).

Pictograms



Denotes instructions that draw your attention to dangers.



Denotes instructions that draw your attention to special features.

◀ denotes the end of the instruction or other text.

See the EBA CD or Aftersales Portal for explanations of the pictograms.

Do not archive the hard copy of these installation instructions since daily updates are made by Aftersales Portal.

Subject to technical modifications.

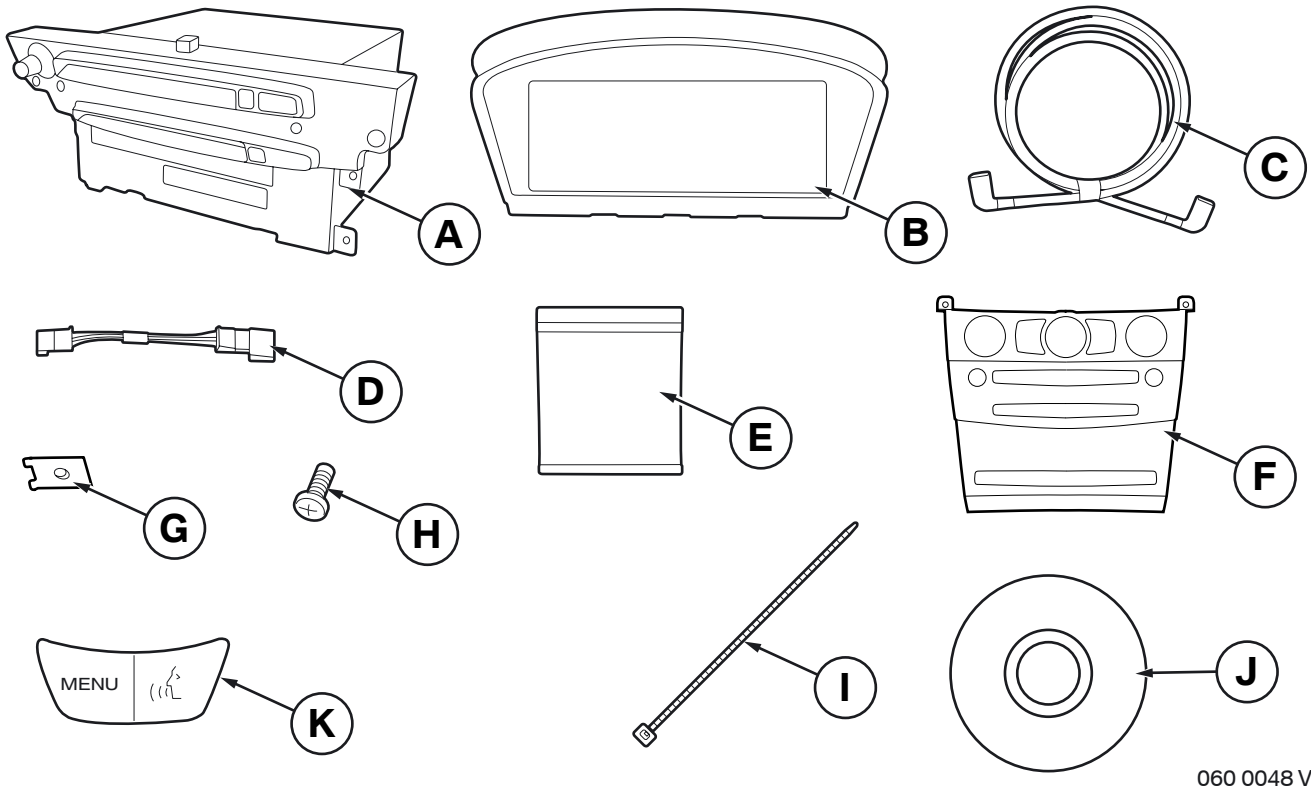
Special tools required

00 9 310

Contents

Section	Page
1. Parts list	4
2. Preparations.....	5
3. Installation work	6
4. Concluding work and coding	9

1. Parts list



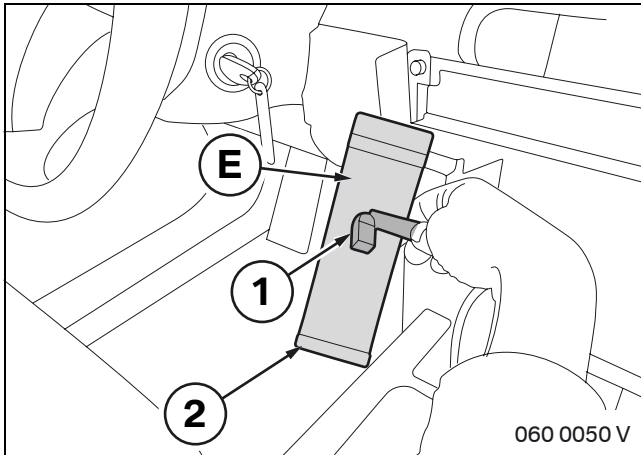
Legend

- A Car Communication Computer (CCC)
- B 8.8" on-board monitor
- C LVDS cable
- D Adapter cable CCC-fan
- E Protective strip
- F Central instrument panel trim (not included in the parts kit)
- G Speed nut (2x)
- H Phillips head self-tapping screw 4.2 x 16 (3x)
- I Cable tie (5x)
- J Professional navigation DVD (not included in all parts kits)
- K Menu/voice input button

2. Preparations

	TIS No.
Conduct a brief test	---
Disconnect the negative pole of the battery	12 00 ...
The following components must be removed first of all	
Décor trim on right of instrument panel	51 45 380
Central instrument panel cover	51 45 310
Audio system controller	65 12 200
On-board monitor	65 82 050

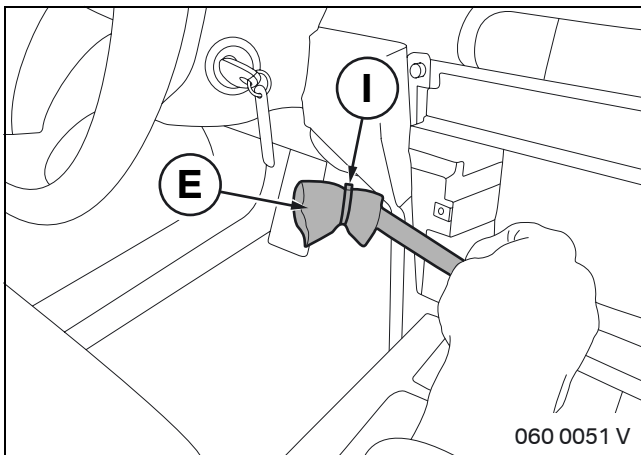
3. Installation work



Cut apart the protective strip **E** at right angles to the adhesive strips in the middle.

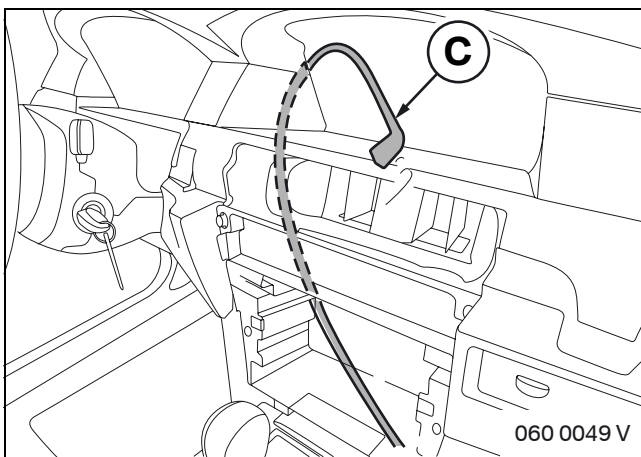
Wrap the plug (1) of the existing LVDS cable with protective strip **E** and secure with the adhesive strips (2).

Proceed in the same way with the plug of the LVDS cable on the audio system controller.



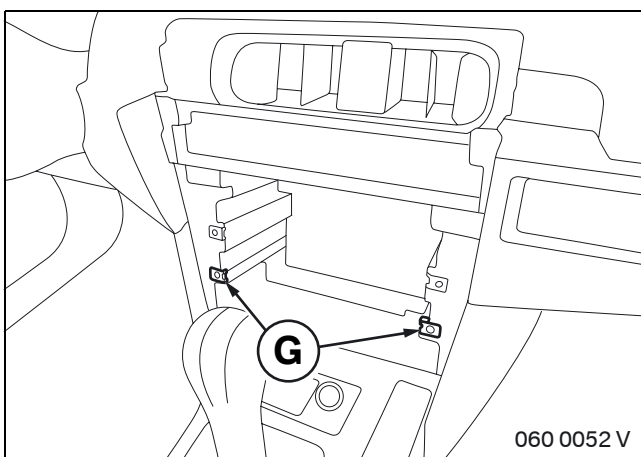
Also secure protective strip **E** using cable tie **I**.

Proceed in the same way with the plug of the LVDS cable on the audio system controller.



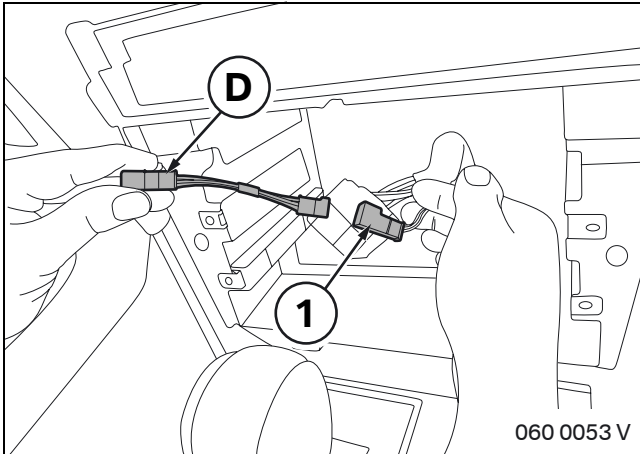
! Connect the violet plug later to 8.8" on-board monitor **B** and connect the blue plug to CCC **A**. ◀

Route LVDS cable **C** on the left behind the ventilation duct downwards to the centre console module holder.



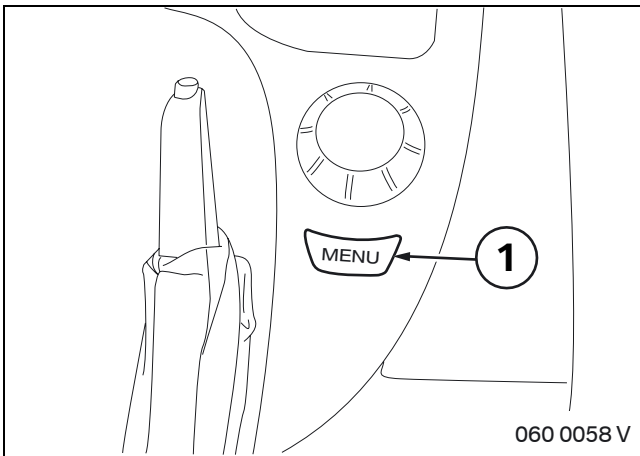
Attach speed nuts **G** to the centre console module holder.

3. Installation work



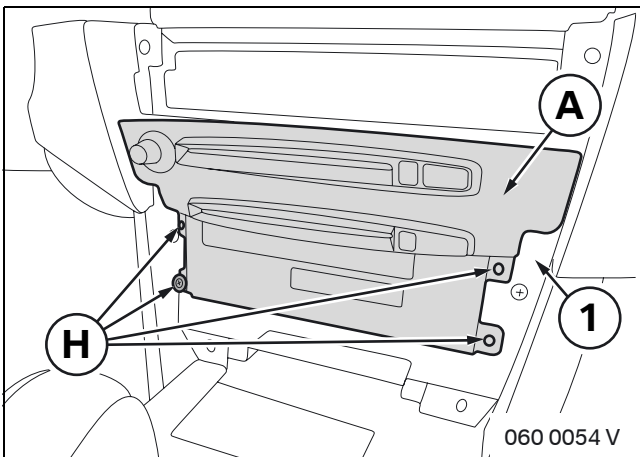
Cars before 09/03 only:

Connect adapter cable **D** to the three-pin plug (1) of the standard wiring harness.




Cars with a single-piece menu button only:


Carefully unclip the single-piece menu button (1) at the top and replace it by menu/voice input button **K** from the parts kit.




All cars:

Connect all plugs to CCC **A**.

 Tie back the old LVDS cable of the standard wiring harness (see figure 060 0050 V). Cut open a few centimetres of the wiring harness winding if necessary. ◀

 When pushing in CCC **A**, make sure that the wiring harness does not get trapped and that no parts of the interior trim are damaged. ◀

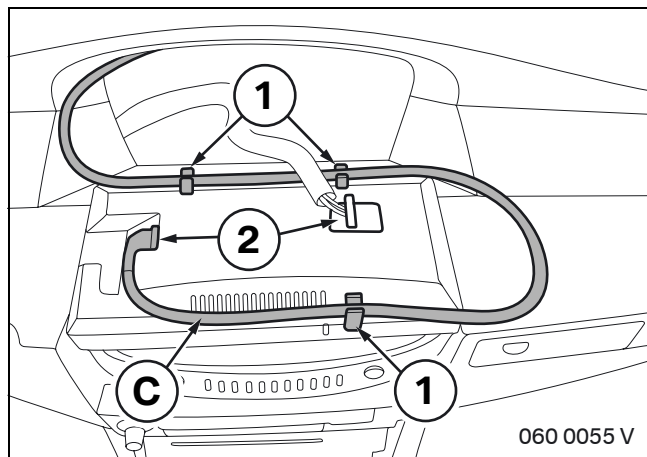
 Connect the CCC fan connection plug to CCC **A**. ◀

Push the CCC **A** into the centre console module holder (1) and secure it using fillister head self-tapping screws **H**.

Tightening torque 2.1 – 2.5 Nm.


Clip the centre console switch centre and automatic air conditioning control into the new instrument panel centre trim **F**. Connect the cable and install the trim.


3. Installation work



Secure LVDS cable **C** in a broad arc in the holders (1) of 8.8" on-board monitor **B**.

Connect the plug (2).

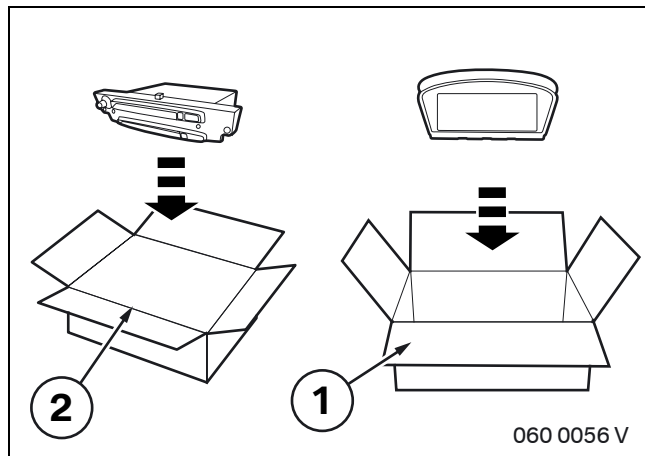
 Take care not to kink LVDS cable **C** when installing 8.8" on-board monitor **B**. ◀

 Tie back the old LVDS cable of the standard wiring harness (see figure 060 0050 V) in the area behind 8.8" on-board monitor **B**. Cut open a few centimetres of the wiring harness winding if necessary. ◀

4. Concluding work and coding

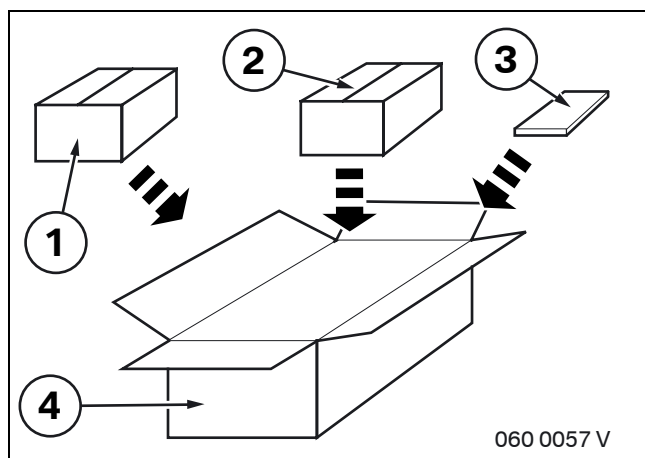
This retrofit system requires coding

- Connect the battery
- Code the conversion via the **Retrofit/Conversion/CCC** path
- Conduct a brief test
- Conduct a function test
- Re-assemble the car
- If the Professional navigation DVD is included in the parts kit, give it to the customer




Place the removed 6.5" on-board monitor in the packaging (1) of on-board monitor **B**.

Page M-ASK in the box (2) of CCC **A**.



Pack the box (1) with the removed on-board monitor, the box (2) with M-ASK and, if appropriate, the Business navigation DVD (3) into the large box (4) of the conversion kit.

 Important, special campaign: Parts removed in the CCC conversion campaign must be sent back via Exchange Logistics. Otherwise, the deposit payments cannot be refunded. ◀